

Decking and Roofing not shown for clarity. See Sheet 2

Ground Line
Sink Members 24"



 True North Helping Hands

 Automated Drafting and Design

 Lewis Slides

 AutoCAD Draftsman

 Vancouver, BC, Canada

 360.281.0875

 lewis_slides@gmail.com

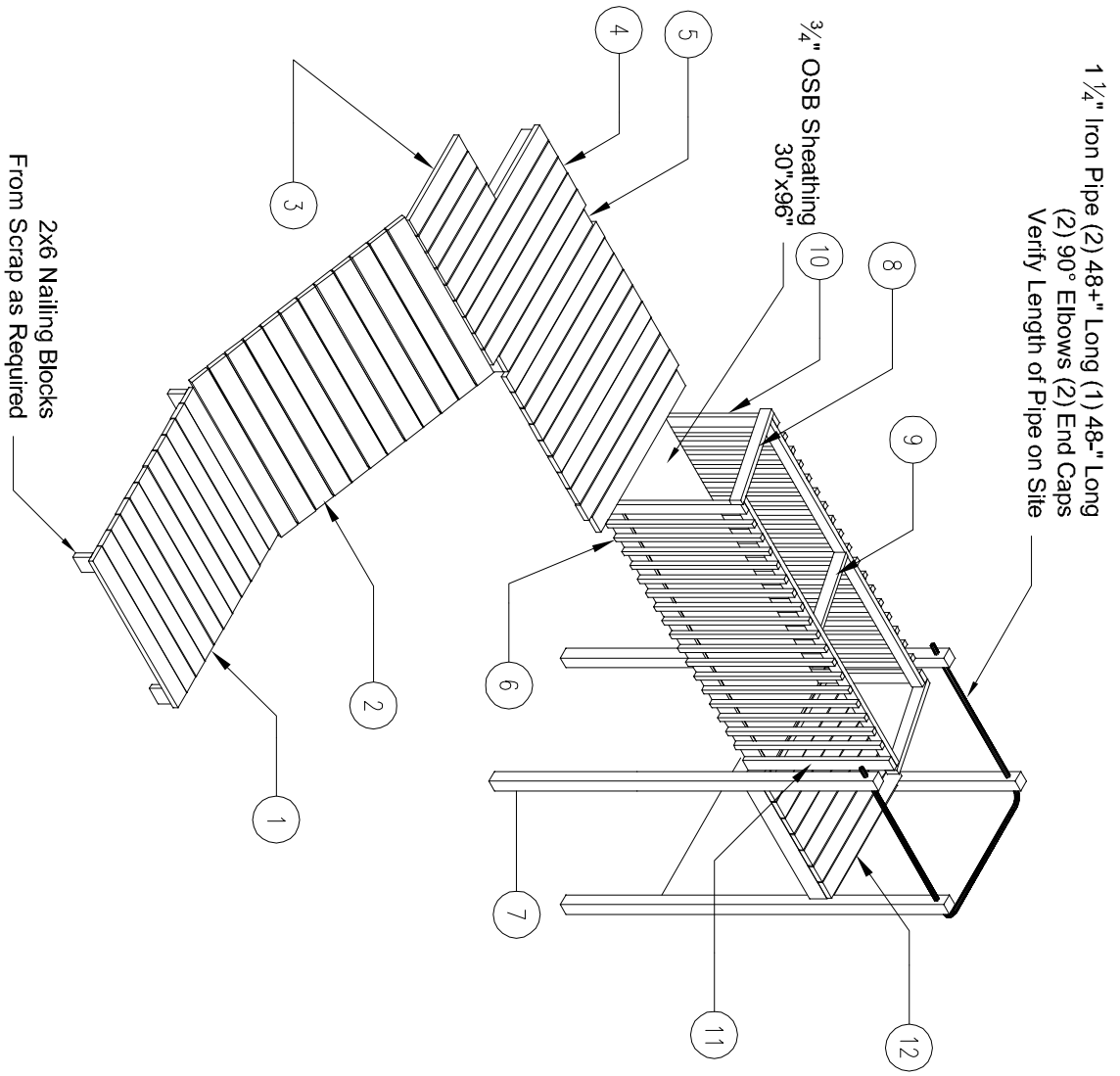
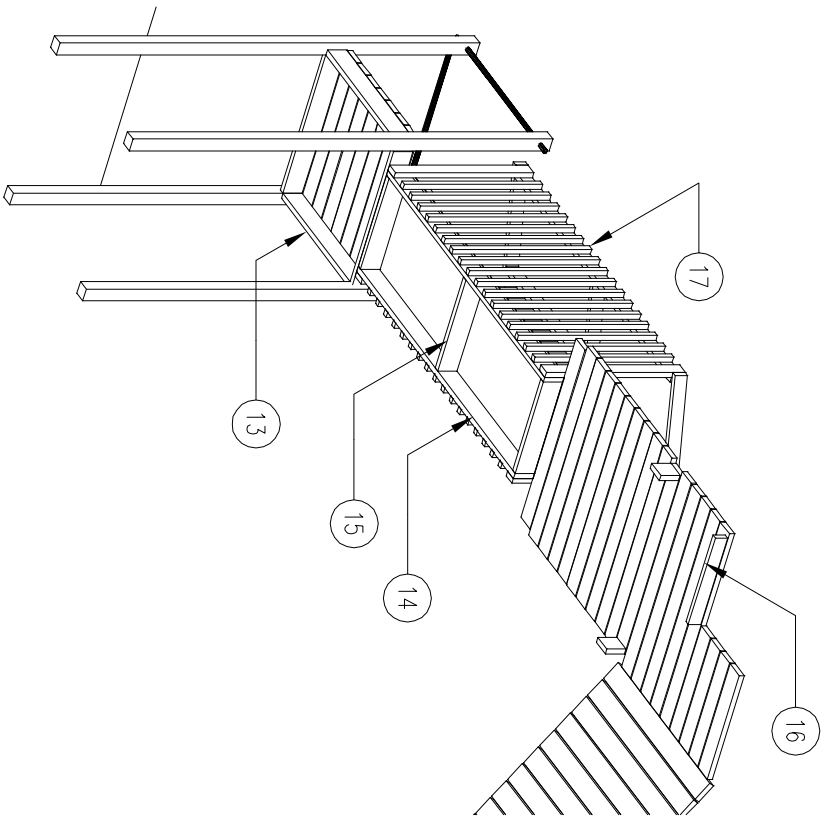
 www.LewisDrafting.com

These drawings are the property of True North Helping Hands and are not to be reproduced in any manner, except with the permission of True North Helping Hands.

REV#	ACTION	BY	DATE
△	---	---	---
△	---	---	---
△	---	---	---

PROJECT: **True North Helping Hands**
 ASSEMBLY: **Play Ground 2011**

DATE:	06-16-2011	PART NO.:	Structure Sheet 1 of 2
SCALE:	NTS	MATERIAL:	---
DRAWN BY:	MLEWISS	QUANTITY:	---



1 1/4" Iron Pipe (2) 48+" Long (1) 48-" Long
 (2) 90° Elbows (2) End Caps
 Verify Length of Pipe on Site

2x6 Nailing Blocks
 From Scrap as Required

These drawings are the property of True North Helping Hands and are not to be reproduced in any manner, except with the permission of True North Helping Hands.



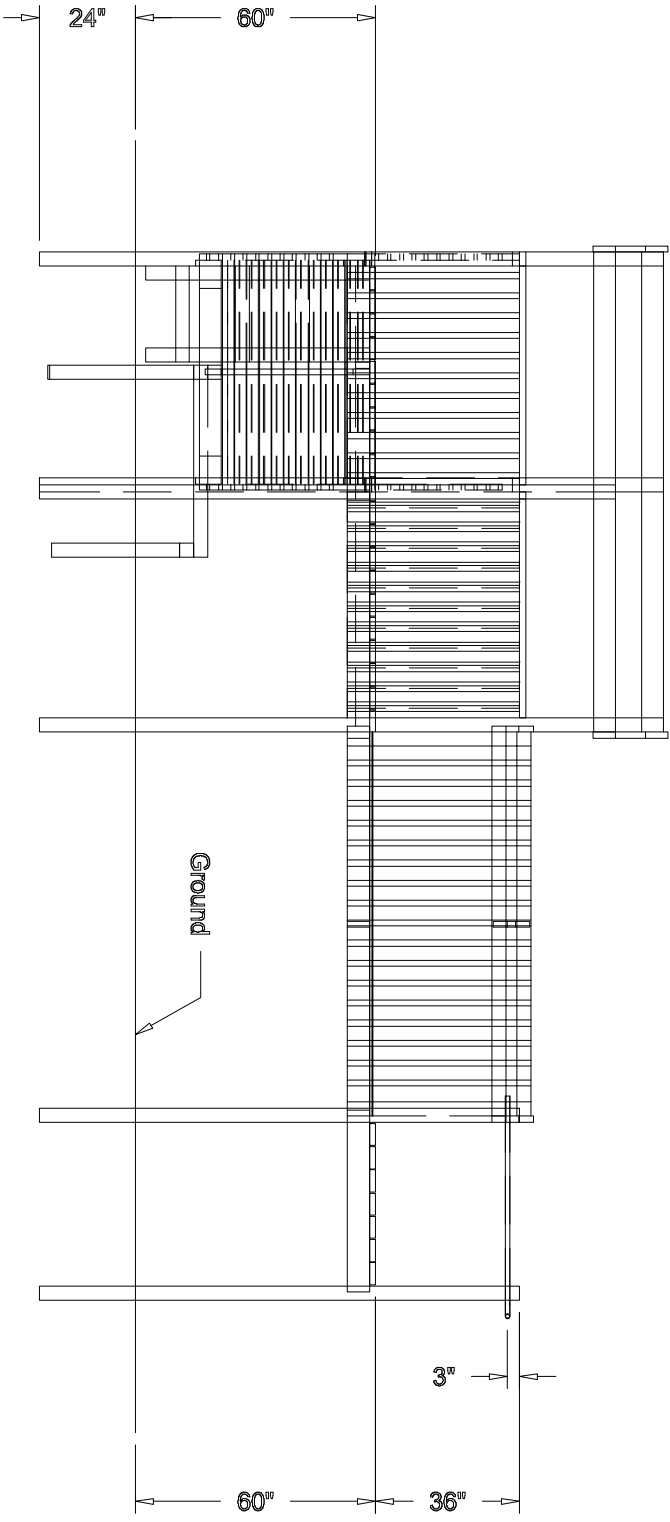
 Automated Drafting and Design
 Lewis Stokes
 AutoCAD Draftsman
 Vancouver, BC, Canada
 360.689.5025
 360.281.0875
 lewis.stokes@gmail.com
 www.LewisDrafting.com

REV#	ACTION	BY	DATE
△	---	---	---
△	---	---	---
△	---	---	---

PROJECT: True North Helping Hands
 ASSEMBLY: Playground 2011

DATE: 06-16-2011
 SCALE: 1/4"=1'-0"
 DRAWN BY: MLEWISS

PART NO.: Structure Sheet 2 of 2
 MATERIAL: ---
 QUANTITY: ---



These drawings are the property of True North Helping Hands and are not to be reproduced or otherwise used without the permission of True North Helping Hands.



 Automated Drafting and Design

 Lewis Stokes

 AutoCAD Draftsman

 Vancouver, BC, Canada

 360.281.0875

 lewis.stokes@gmail.com

 www.LewisDrafting.com

REV.#	ACTION	BY/DATE
△	---	---
△	---	---
△	---	---

PROJECT
True North Helping Hands

ASSEMBLY
Play Ground 2011

DATE: **06-16-2011**

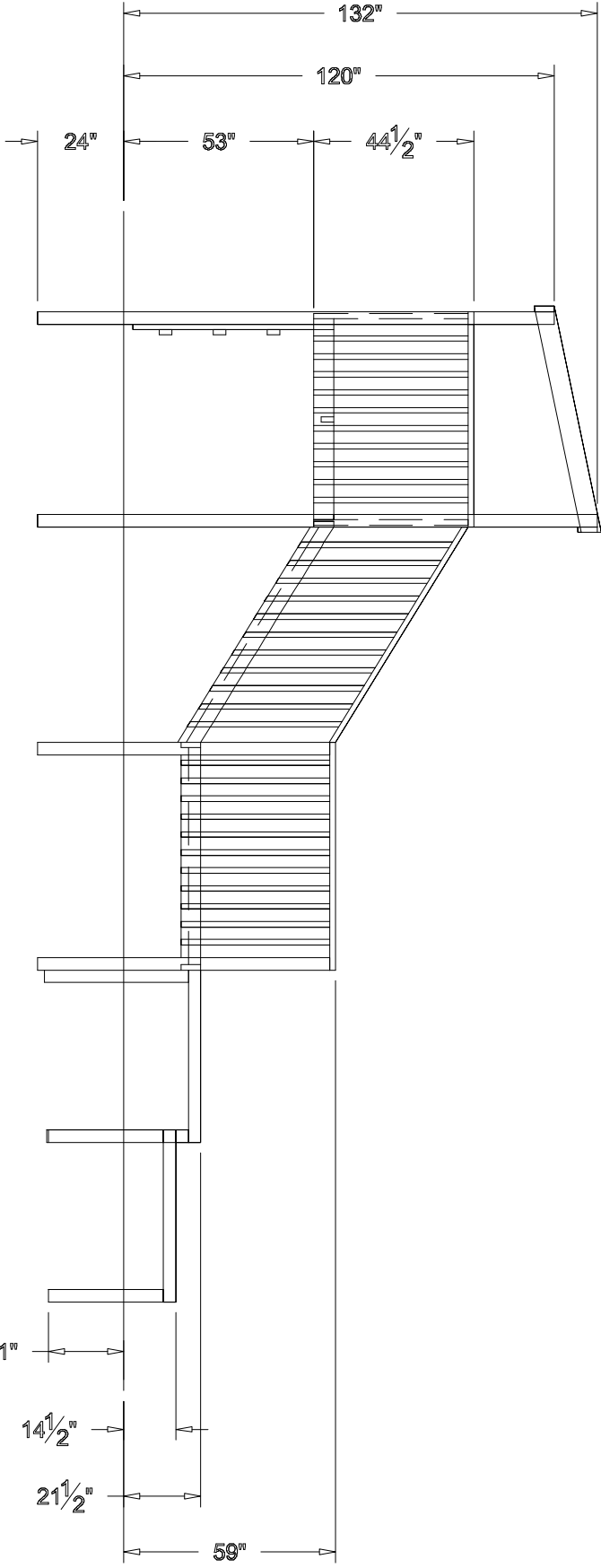
SCALE: **1/4"=1'-0"**

DRAWN BY: **MLEWISS**

PART NO.
Front Elevation

MATERIAL: ---

QUANTITY: ---



These drawings are the property of True North Helping Hands and are not to be reproduced in any manner without the permission of True North Helping Hands.

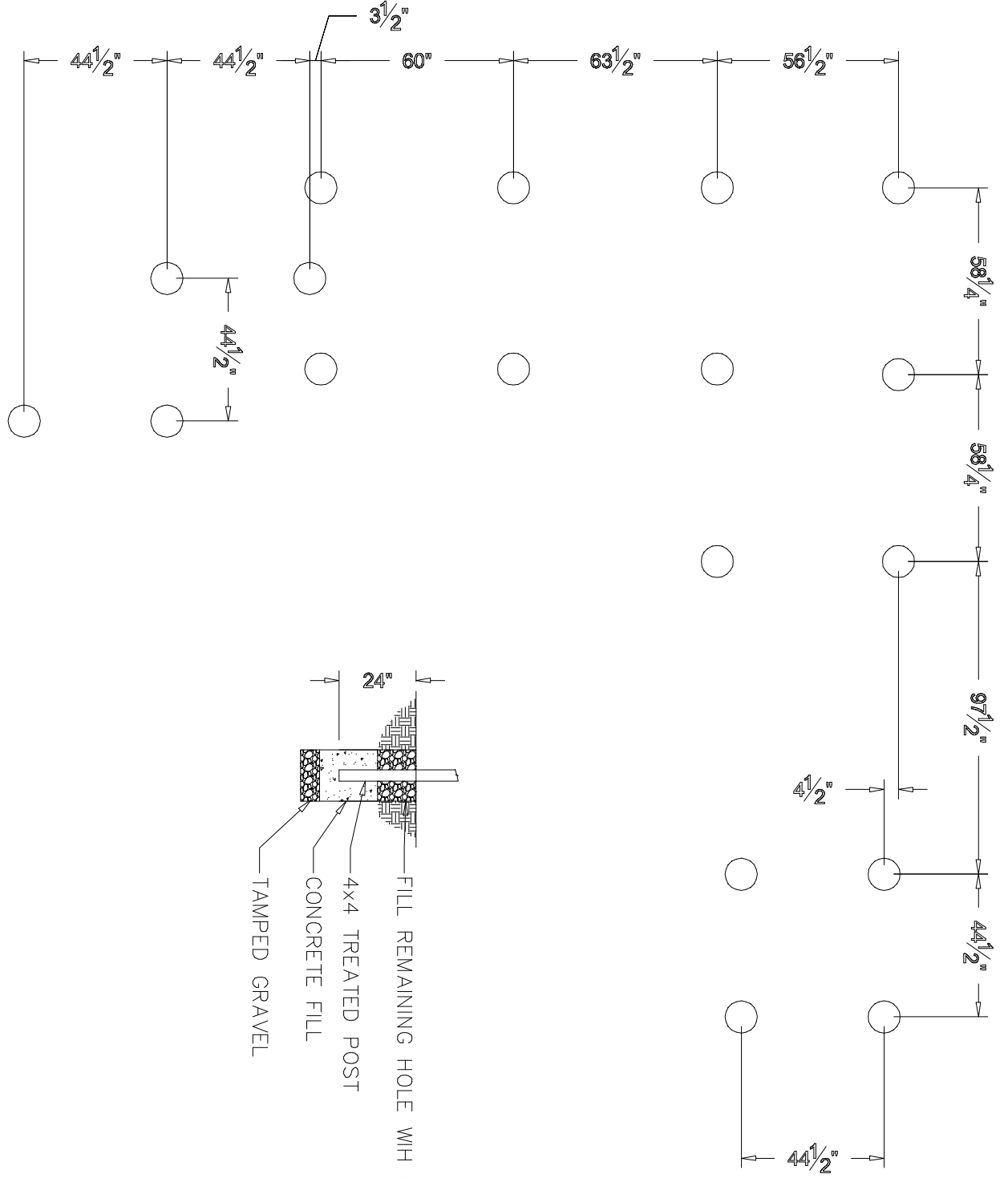
True North Helping Hands
 Automated Drafting and Design
 Lewis Sills
 AutoCAD Draftsman
 Vancouver, BC, Canada
 360.281.0875
 lewis.sills@gmail.com
 www.LewisDrafting.com

REV.#	ACTION	BY/DATE
1
2
3

PROJECT	True North Helping Hands
ASSEMBLY	Play Ground 2011

DATE	06-16-2011
SCALE	1/4"=1'-0"
DRAWN BY	M LEWISS

PART NO.	Front Elevation
MATERIAL	---
QUANTITY	---



These drawings are the property of True North Helping Hands and are not to be reproduced in any manner, except with the permission of True North Helping Hands.



 Automated Drafting and Design

 Lewis Stokes

 AutoCAD Draftsman

 Vancouver, BC, Canada

 360.281.0875

 lewis.stokes@gmail.com

 www.LewisDrafting.com

REV#	ACTION	BY	DATE
1
2
3

PROJECT: True North Helping Hands

 ASSEMBLY: Playground 2011

DATE: 06-16-2011

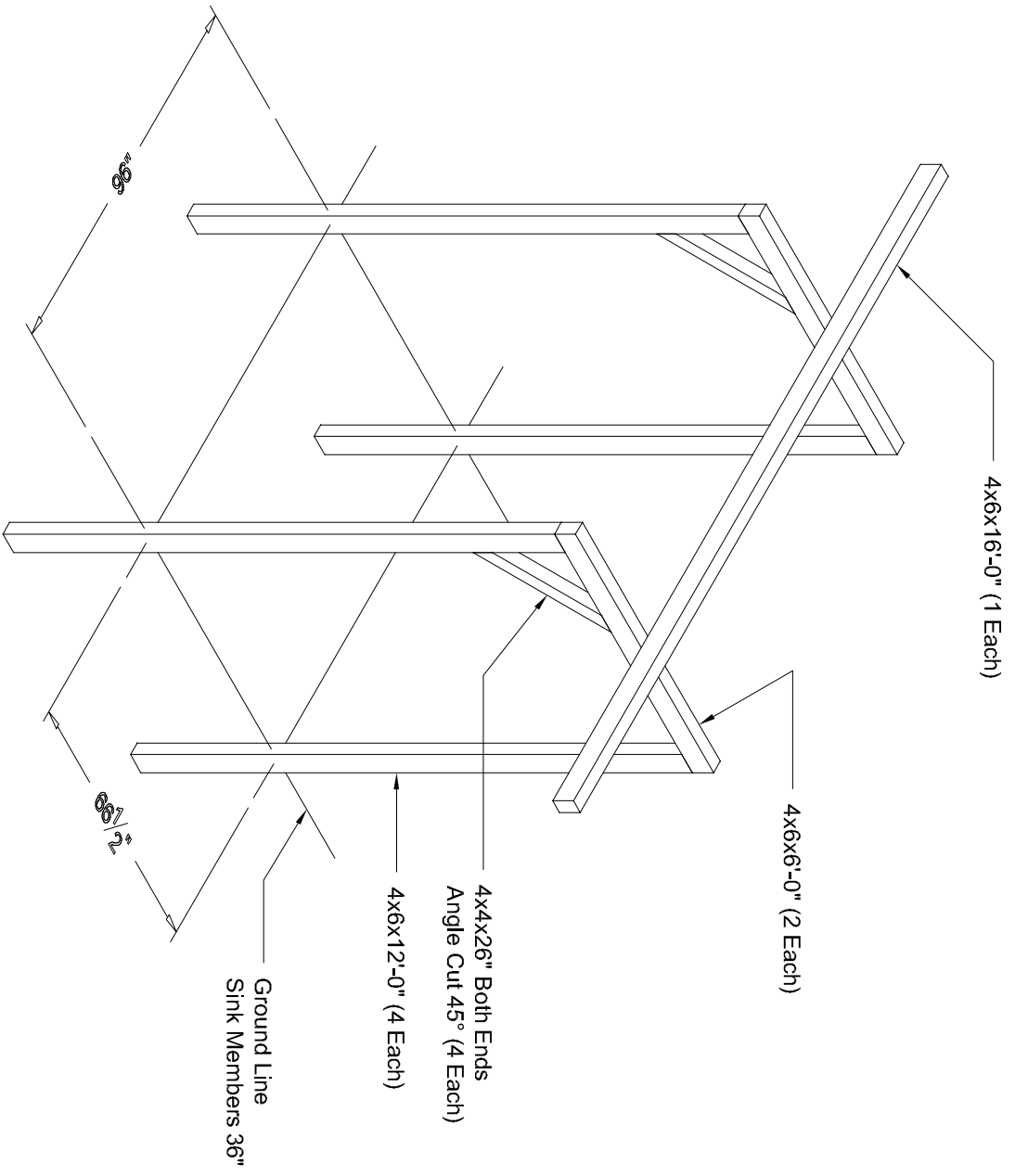
 SCALE: NTS

 DRAWN BY: MLEWISS

PART NO.: Post Hole Placement

 MATERIAL: ---

 QUANTITY: ---



These drawings are the property of True North Helping Hands and are not to be reproduced in any manner, except with the permission of True North Helping Hands



 Automated Drafting and Design
 Lewis Stokes
 AutoCAD Draftsman
 Vancouver, BC, Canada
 360.689.4025
 lewis.stokes@gmail.com
 www.LewisDrafting.com

REV#	ACTION	BY/DATE
1
2
3

PROJECT
True North Helping Hands
 ASSEMBLY
Play Ground 2011

DATE: 06-16-2011
 SCALE: NTS
 DRAWN BY: MLEWISS

PART NO.: Swing Set
 MATERIAL: ---
 QUANTITY: ---



Automated Drafting and Design
 Lewis Stokes
 AutoCAD Draftsman
 Vermont, U.S. 05601
 360.689.6025
 360.281.10875
 lewis.stokes@gmail.com
 www.LewisDrafting.com

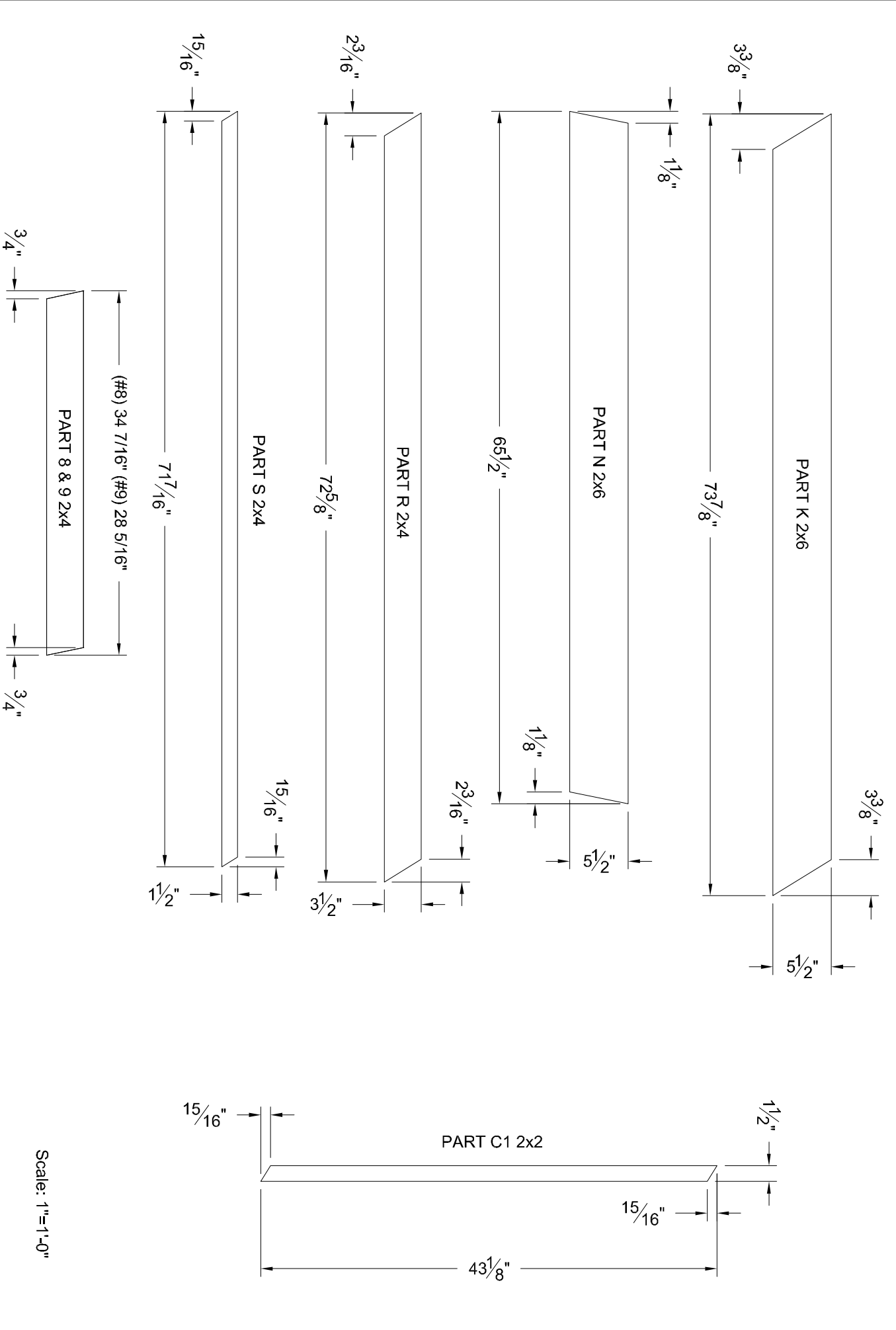
These drawings are the property of True North Helping Hands and are not to be reproduced in any manner, except with the permission of True North Helping Hands.

REV#	ACTION	BY/DATE
△	---	---
△	---	---
△	---	---

PROJECT
True North Helping Hands
 ASSEMBLY
Play Ground 2011

DATE: 06-16-2011
 SCALE: NTS
 DRAWN BY: MLEWISS

PART NO. --
 MATERIAL: 2x6
 QUANTITY: --



Scale: 1"=1'-0"

Playground 2011 Cutlist				
Callout	Size	Length	Quantity	Note
A	4X4	2'-8"	2	
B	4X4	3'-0"	1	
C	4X4	3'-4"	1	
D	4X4	4'-0"	3	
E	4X4	6'-9 1/2"	4	
F	4X4	13'-0"	3	
G	4X4	12'-0"	3	
H	2X6	4'-5"	4	
J	2X6	4'-8 1/2"	3	
K	2X6	6'-1 7/8"	2	See Detail
L	2X6	4'-6 3/4"	2	
M	2X6	10'-0"	2	
N	2X6	5'-5 1/2"	2	See Detail
P	2X4	5'-0 1/2"	1	
Q	2X4	5'-3 1/2"	2	
R	2X4	6'-0 5/8"	1	See Detail
S	2X4	5'-11 7/16"	2	See Detail
T	2X4	4'-5"	2	
U	2X4	9'-7"	1	
V	2X4	4'-8 1/2"	1	
W	2X4	4'-6 3/4"	2	
X	2X4	4'-8"	2	
Y	2X4	2'-0"	3	
A1	2X2	3'-5 1/2"	22	
B1	2X2	3'-7"	43	
C1	2X2	3'-7 1/8"	22	See Detail

Playground 2011 Cutlist				
Callout	Size	Length	Quantity	Note
1	2x6	53"	11	
2	2x6	56"	12	
3	2x6	30 3/4"	4	
4	2x6	57 7/8"	14	
5	2x6	53"	2	
6	2x2	45 13/16"	17	
7	4x4	10"-0"	4	
8	2x4	34 7/16"	2	See Detail
9	2x4	28 5/16"	1	See Detail
10	2x4	39 5/8"	2	
11	2x4	45 13/16"	2	
12	2x6	44"	7	
13	2x6	41"	4	
14	2x6	8'-0"	2	
15	2x6	27"	1	
16	2x4	25 3/4"	1	
17	2x2	39 5/8"	17	

These drawings are the property of True North Helping Hands and are not to be reproduced or otherwise used without the permission of True North Helping Hands.

True North Helping Hands
 Automated Drafting and Design
 Lewke Stiles
 AutoCAD Draftsman
 Vancouver, BC, Canada
 360.689.6035
 360.281.1875
 lewke.stiles@gmail.com
 www.LewkeDrafting.com

REV#	ACTION	BY / DATE
△	---	---
△	---	---
△	---	---

<p>PROJECT</p> <p>True North Helping Hands</p>
<p>ASSEMBLY</p> <p>Play Ground 2011</p>

DATE:	06-16-2011
SCALE:	NTS
DRAWN BY:	MLEWISS

PART NO.	Cutlists
MATERIAL:	---
QUANTITY:	---