

Stamp...if required

Automated Drafting and Design

Lewis Skiles
 AutoCAD Draftsman
 1111 Z Street
 Vancouver, WA 98661
 360.281.0875
 lewis.skiles@gmail.com
 www.LewisDrafting.com

MODIFICATIONS

- A Revise standard truss details
- B Revise window and door details; add reversed wall
- C Moved Windows in Sidewalls to enlarge corner

Unless the LORD builds the house,
 its builders labor in vain.
 Unless the LORD watches over the city,
 the watchmen stand guard in vain. Psalm 127:1-2

Project: **School Building 20' X 24'**
 True North Helping Hands

Sheet Title: **COVER SHEET**

Sheet Number:

C-101

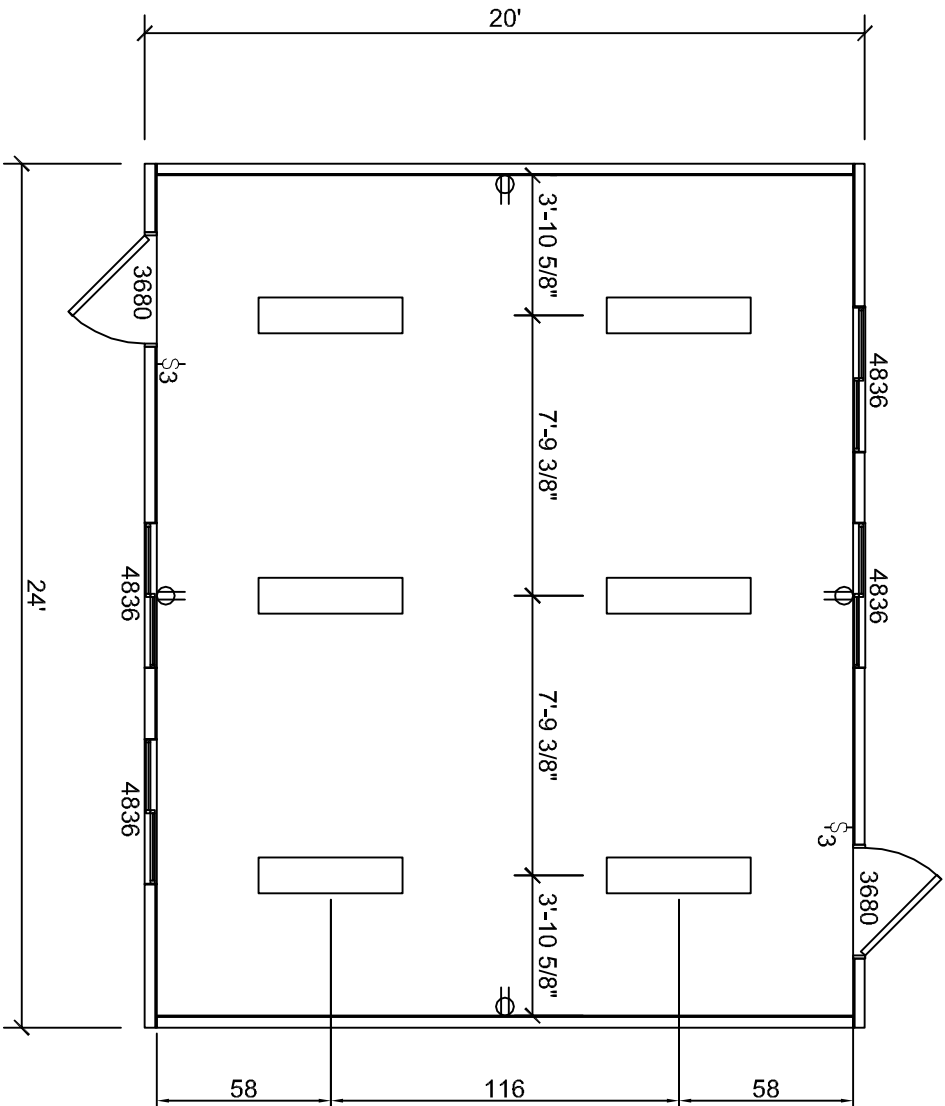
Drawn by:

Date:

Scale: NTS

Revision Date: 24 June 2015

REV C



Automated Drafting and Design

Lewis Skiles
 AutoCAD Draftsman
 1111 Z Street
 Vancouver, WA 98661
 360.281.0875
 lewis.skiles@gmail.com
 www.LewisDrafting.com

Stamp...if required

MODIFICATIONS

- A) Revise standard truss details
- B) Revise window and door details: add reversed wall
- C) Moved Windows in Sidelwalls to enlarge corner

Project: **School Building 20' x 24'**
 True North Helping Hands

Sheet Number:

Sheet Title: **Floor Plan Electrical**

AP-101

Drawn by:

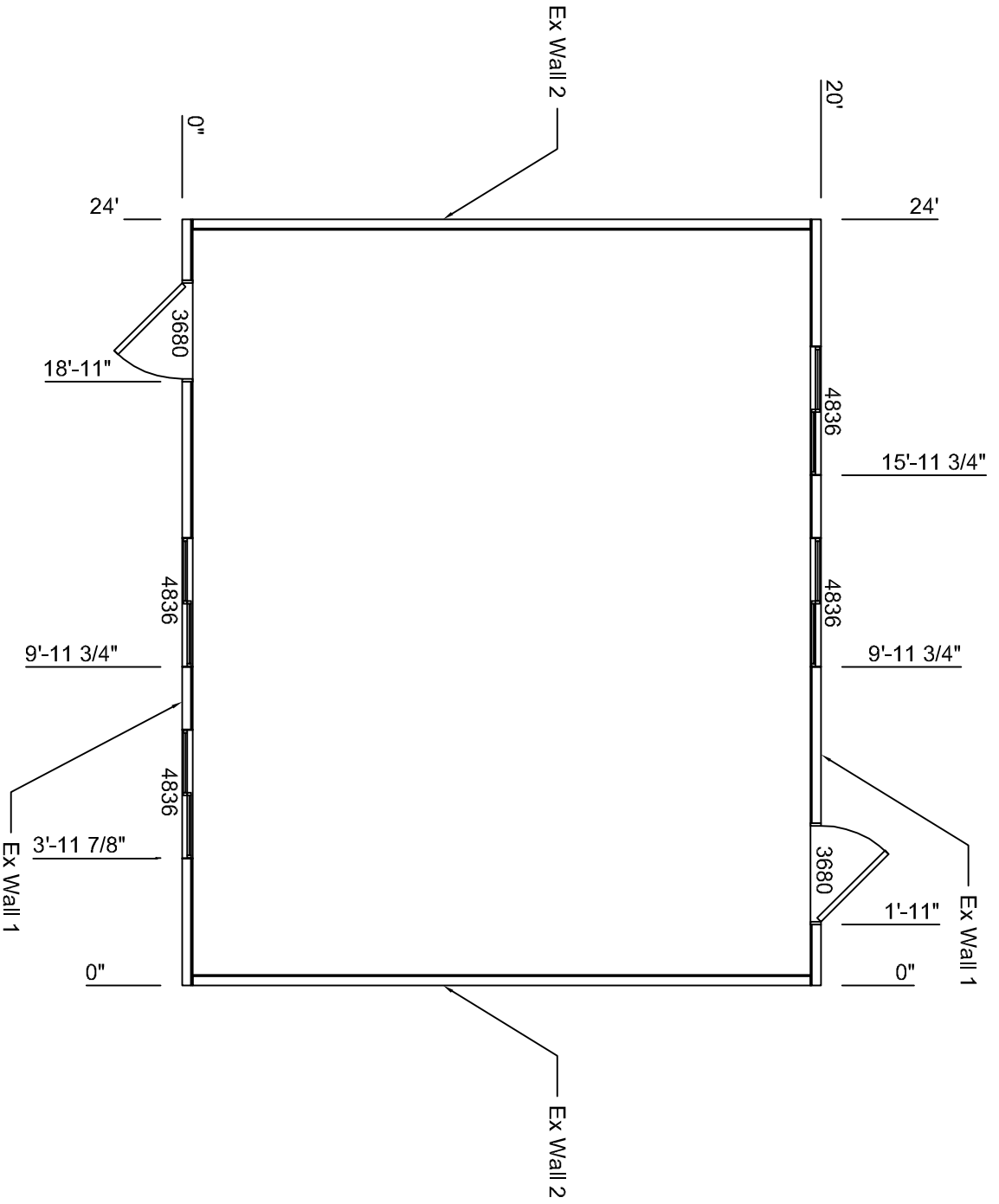
Date:

Scale: 3/16" = 1'-0"

Revision Date: 24 June 2015

REV C

Unless the LORD builds the house,
 its builders labor in vain.
 Unless the LORD watches over the city,
 the watchmen stand in vain. Psalm 127



Automated Drafting and Design

Lewis Skiles
 AutoCAD Draftsman
 1111 Z Street
 Vancouver, WA 98661
 360.281.0875
 lewis.skiles@gmail.com
 www.LewisDrafting.com

Stamp...if required

MODIFICATIONS

- A Revise standard truss details
- B Revise window and door details; add reversed wall
- C Moved Windows in Sidewalls to enlarge corner

Unless the LORD builds the house,
 its builders labor in vain.
 Unless the LORD watches over the city,
 the watchmen stand guard in vain. Psalm 127

Project:

School Building 20' x 24'
 True North Helping Hands

Sheet Number:

Sheet Title:
 WALL SET PLAN

WS-101

Drawn by:

Date:

Scale: 3/16" = 1'-0"

Revision Date: 24 June 2015

REV C

Header Detail
(2) 2x4 on End
1/2" Ply Filler

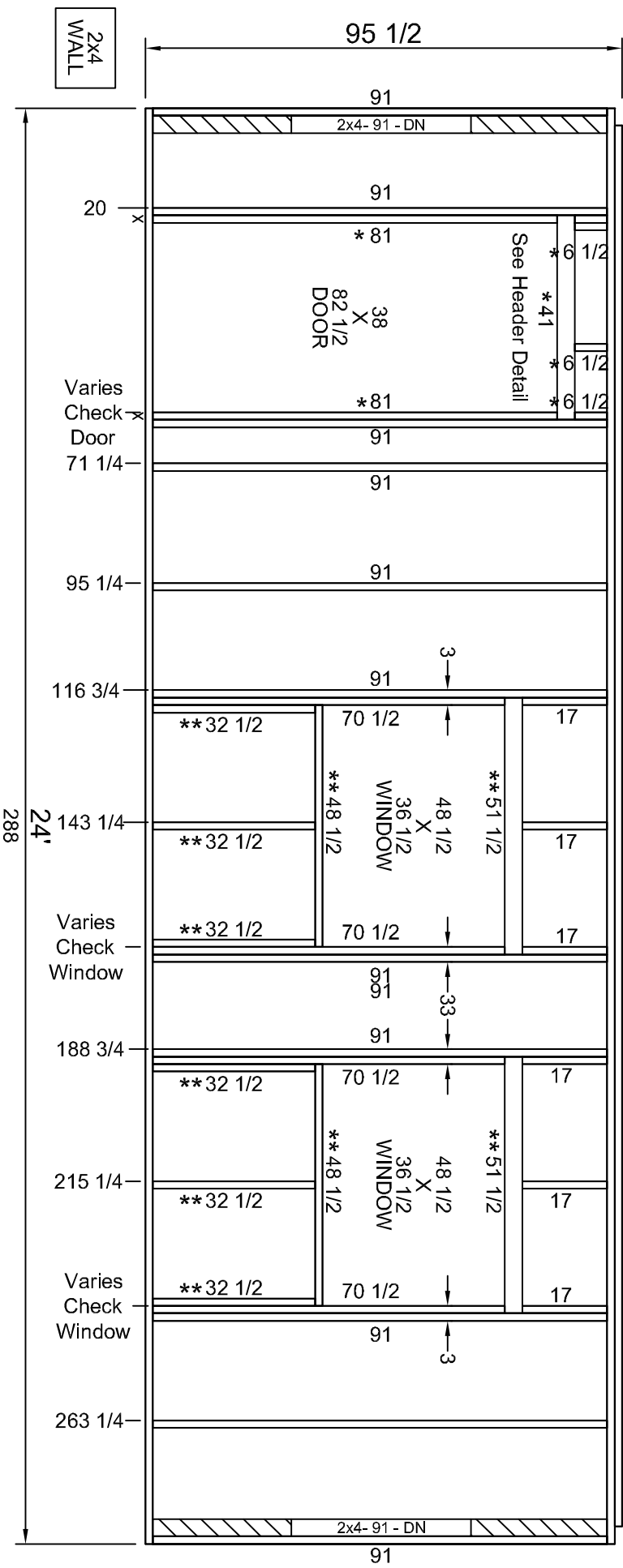


* Verify Door size and adjust Jack Stud, Cripples and Header length accordingly

Build Windows as Sub-Assemblies. Add top and Cripples at Wall Build

** Verify Window size and adjust Bottom Cripple Height and Sill and Header length accordingly

CUT LIST		
QTY.	SIZE	LENGTH
4	2x4	6 1/2
6	2x4	17
6	2x4	32 1/2
2	2x4	41
2	2x4	48 1/2
4	2x4	51 1/2
4	2x4	70 1/2
2	2x4	81
13	2x4	91
1	2x4	281
2	2x4	288



Automated Drafting and Design
Lewis Skiles
AutoCAD Draftsman
11111 Z Street
Vancouver, WA 98661
360.281.0875
lewis.skiles@gmail.com
www.LewisDrafting.com

Stamp...if required

MODIFICATIONS

A	Reverse standard truss details
B	Reverse window and door details; add reversed wall
C	Moved Windows in Sidelwalls to enlarge corner

Project: School Building 20' x 24'
True North Helping Hands

Sheet Title: EXTERIOR WALL

Sheet Number: IW-101

Drawn by: M Lewis
Date: 05-22-07

Scale: 3/8" = 1'-0"

Revision Date: 24 June 2015

REV C

Unless the LORD builds the house, its builders labor in vain. Unless the LORD watches over the city, the watchmen stand guard in vain. Psalm 127



Header Detail
 (2) 2x4 on End
 1/2" Ply Filler

3 1/2

** Verify Window size and adjust Bottom Cripple Height and Sill and Header length accordingly

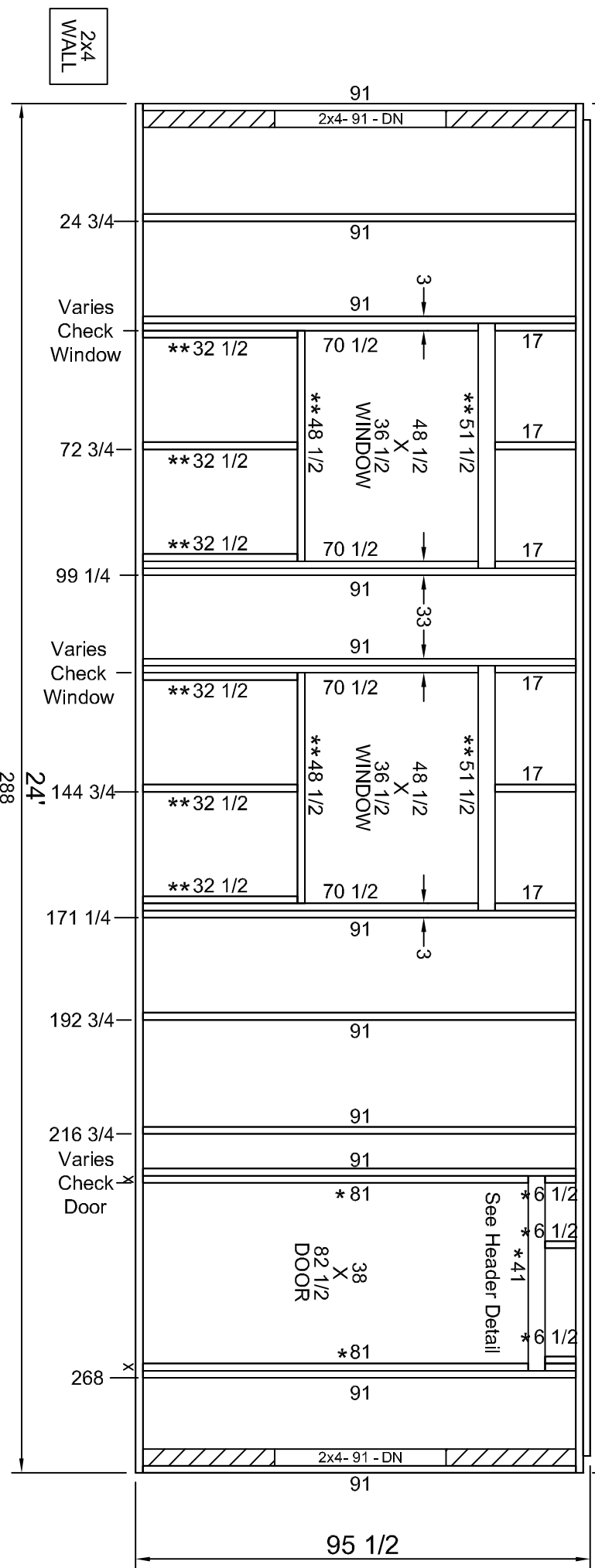
Build Windows as Sub-Assemblies.
 Add top and Cripples at Wall Build

281
288

* Verify Door size and adjust Jack Stud, Cripples and Header length accordingly

3 1/2

CUT LIST			
QTY.	SIZE	LENGTH	
4	2x4	6 1/2	
6	2x4	17	
6	2x4	32 1/2	
2	2x4	41	
2	2x4	48 1/2	
4	2x4	51 1/2	
4	2x4	70 1/2	
2	2x4	81	
13	2x4	91	
1	2x4	281	
2	2x4	288	



Automated Drafting and Design
 Lewis Skiles
 AutoCAD Draftsman
 11111 Z Street
 Vancouver, WA 98661
 360.281.0875
 lewis.skiles@gmail.com
 www.LewisDrafting.com

Stamp...if required

MODIFICATIONS

A	Reverse standard truss details
B	Reverse window and door details; add reversed wall
C	Moved Windows in Sidelwalls to enlarge corner

Project: **School Building 20' x 24'**
 True North Helping Hands

Sheet Title: **EXTERIOR WALL**

Sheet Number: **IW-101R**

Drawn by: M.Lewis
 Date: 05-22-07

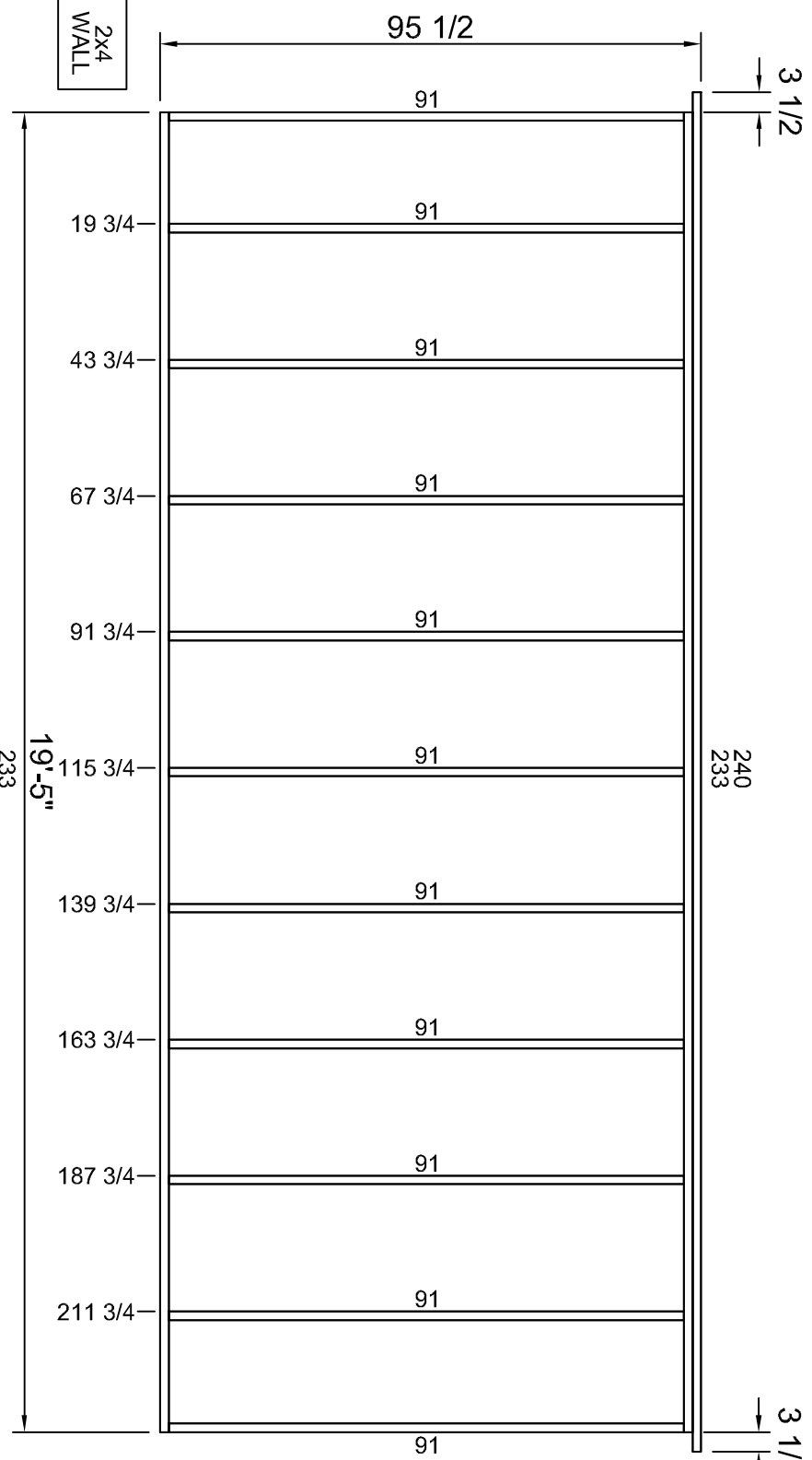
Scale: 3/8" = 1'-0"

Revision Date: 24 June 2015

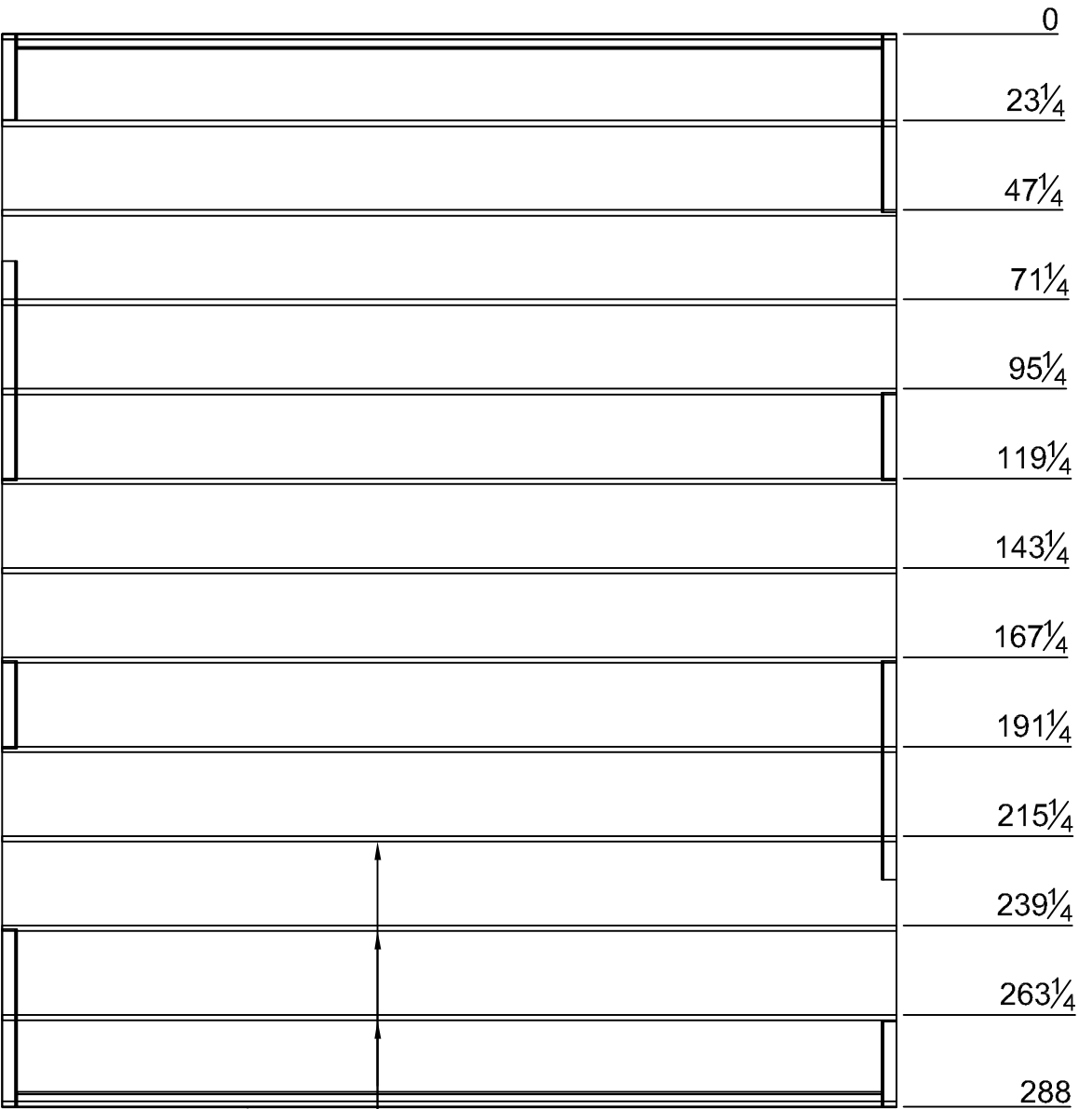
REV C

Unless the LORD builds the house, its builders labor in vain. Unless the LORD watches over the city, the watchmen stand guard in vain. Psalm 127

CUT LIST		
QTY.	SIZE	LENGTH
11	2x4	91
2	2x4	233
1	2x4	240



<p>Automated Drafting and Design Lewis Skiles AutoCAD Draftsman 1111 Z Street Vancouver, WA 98661 360.281.0875 lewis.skiles@gmail.com www.LewisDrafting.com</p>	<p>Stamp...if required</p>						
<p>MODIFICATIONS</p> <table border="1" style="width: 100%; border-collapse: collapse;"> <tr> <td style="width: 5%;">A</td> <td>Revise standard truss details</td> </tr> <tr> <td>B</td> <td>Revise window and door details; add reversed wall</td> </tr> <tr> <td>C</td> <td>Moved Windows in Sidewalls to enlarge corner</td> </tr> </table> <p><small>Unless the LORD builds the house, its builders labor in vain. Unless the LORD watches over the city, the watchmen stand guard in vain. Psalm 127</small></p>		A	Revise standard truss details	B	Revise window and door details; add reversed wall	C	Moved Windows in Sidewalls to enlarge corner
A	Revise standard truss details						
B	Revise window and door details; add reversed wall						
C	Moved Windows in Sidewalls to enlarge corner						
<p>Project: School Building 20' x 24' True North Helping Hands</p>							
<p>Sheet Title: EXTERIOR WALL</p>							
<p>Drawn by:</p>	<p>Date:</p>						
<p>Scale: 3/8" = 1'-0"</p>	<p>Revision Date: 24 June 2015</p>						
<p>Sheet Number: IW-102</p>							
<p>REV C</p>							



SEE RT-101
FOR STANDARD
TRUSS AT 24"oc

SEE RT-102
FOR GABLE
TRUSS EACH END

Automated Drafting and Design

Lewis Skiles
AutoCAD Draftsman
1111 Z Street
Vancouver, WA 98661
360.281.0875
lewis.skiles@gmail.com
www.LewisDrafting.com

Stamp...if required

MODIFICATIONS

- A) Revise standard truss details
- B) Revise window and door details: add reversed wall
- C) Moved Windows in Sidelwalls to enlarge corner

Unless the LORD builds the house,
its builders labor in vain.
Unless the LORD watches over the city,
the watchmen stand guard in vain. (Psalm 127)

Project: **School Building 20' x 24'**
True North Helping Hands

Sheet Title: **TRUSS LAYOUT**

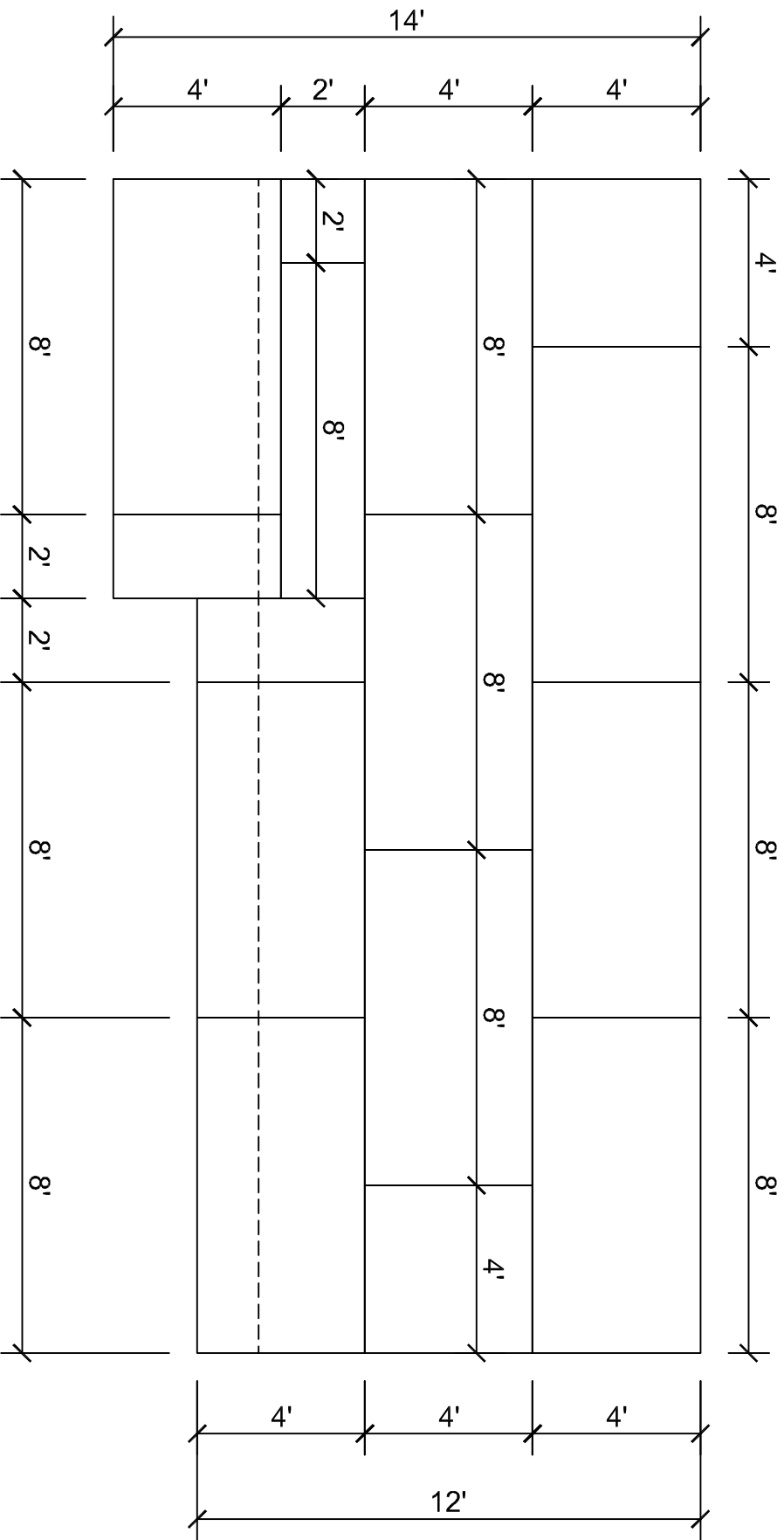
Sheet Number:

RT-103

Drawn by:
Scale: 1/4" = 1'-0"

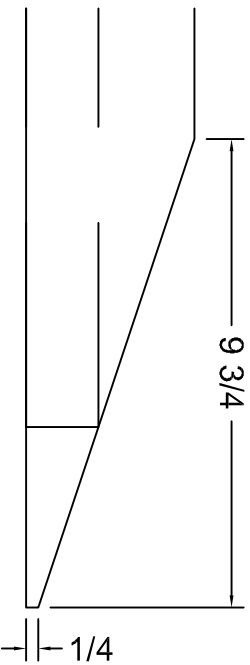
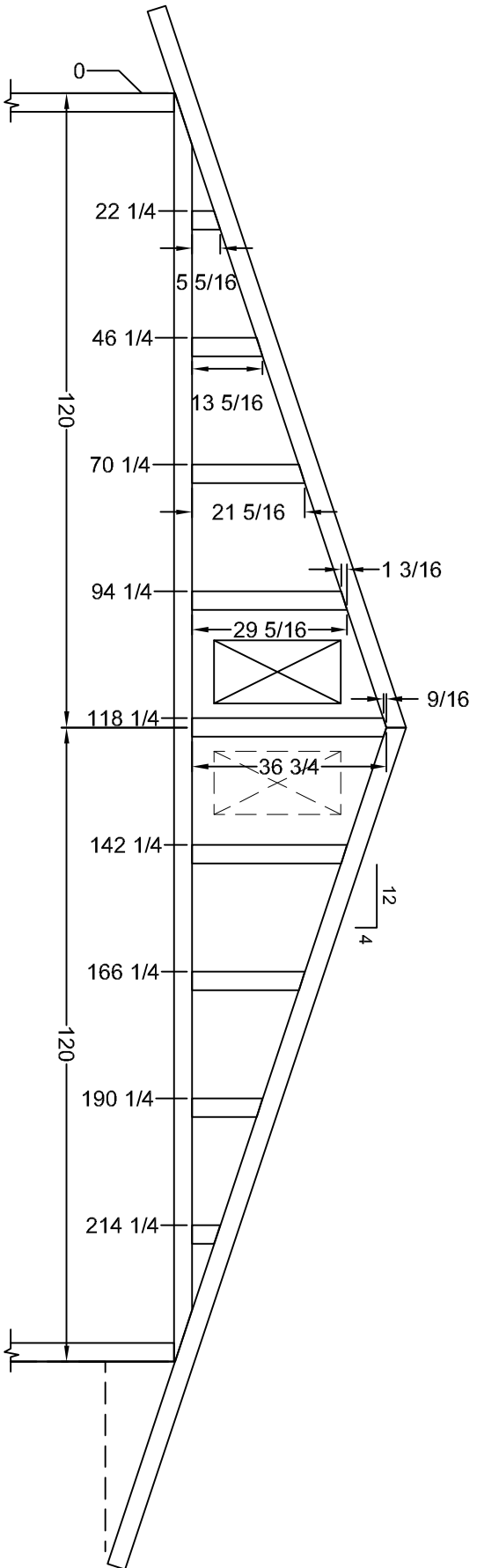
Date:
Revision Date: 24 June 2015

REV C



Automated Drafting and Design Lewis Skiles AutoCAD Draftsman 1111 Z Street Vancouver, WA 98661 360.281.0875 lewis.skiles@gmail.com www.LewisDrafting.com		Stamp...if required	MODIFICATIONS A) Revise standard truss details B) Revise window and door details: add reversed wall C) Moved Windows in Sidelwalls to enlarge corner		Project: School Building 20' x 24' True North Helping Hands Sheet Title: ROOF SHEATHING Drawn by: Scale: 1/4" = 1'-0" Date: Revision Date: 24 June 2015	Sheet Number: RS-101 REV C
---	--	---------------------	--	--	---	---

Unless the LORD builds the house,
 its builders labor in vain.
 Unless the LORD watches over the city,
 the watchmen stand guard in vain. (Psalm 127)



Automated Drafting and Design

Lewis Skiles
 AutoCAD Draftsman
 1111 Z Street
 Vancouver, WA 98661
 360.281.0875
 lewis.skiles@gmail.com
 www.LewisDrafting.com

Stamp...if required

MODIFICATIONS

- A) Revise standard truss details
- B) Revise window and door details: add reversed wall
- C) Moved Windows in Sidelwalls to enlarge corner

Project: **School Building 20' x 24'**

Title: **True North Helping Hands**

Sheet Title: **ROOF/TRUSS GABLE**

Sheet Number:

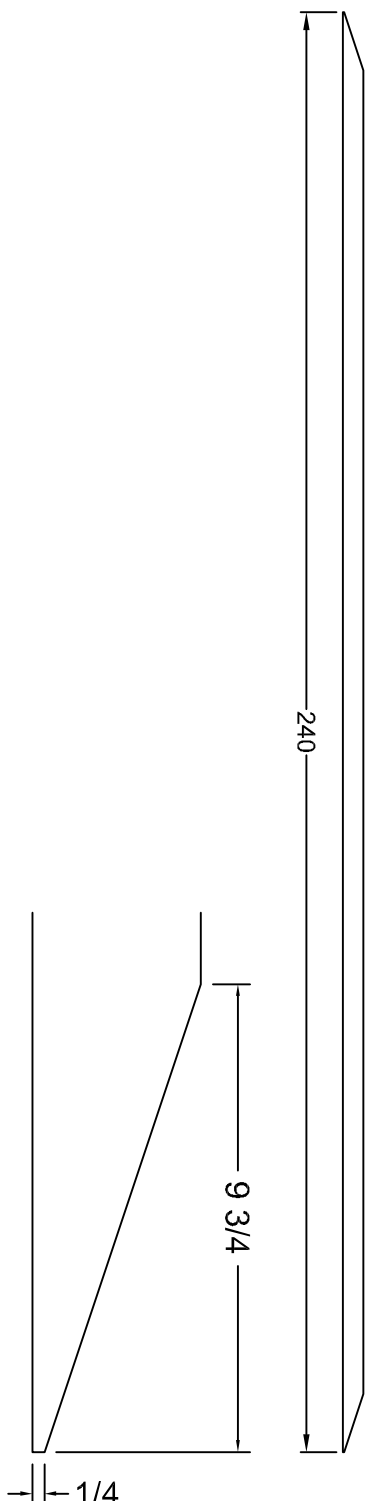
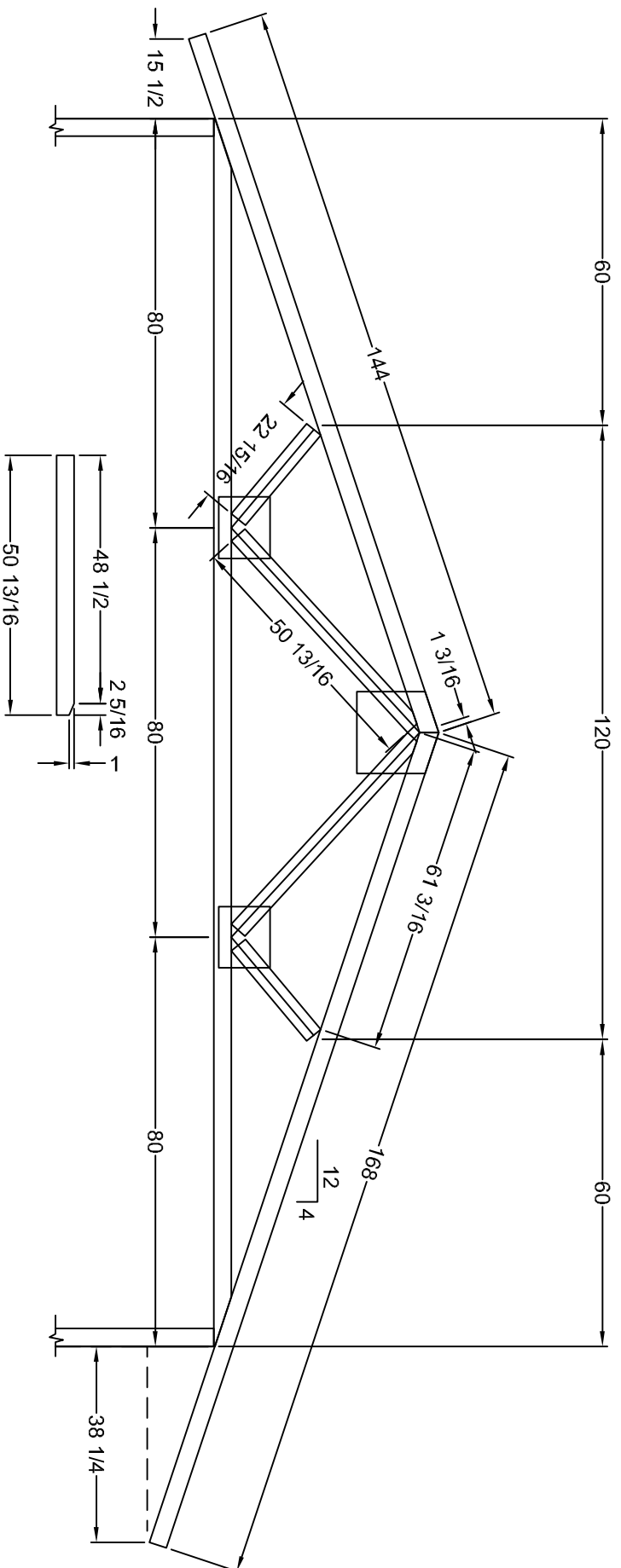
RT-102

Drawn by:
 Scale: 3/8" = 1'-0"

Date:
 Revision Date: 24 June 2015

REV C

Unless the LORD builds the house,
 its builders labor in vain.
 Unless the LORD watches over the city,
 the watchmen stand guard in vain. (Psalm 127)



Automated Drafting and Design Lewis Skiles AutoCAD Draftsman 1111 Z Street Vancouver, WA 98661 360.281.0875 lewis.skiles@gmail.com www.LewisDrafting.com		Stamp...if required		MODIFICATIONS A) Revise standard truss details B) Revise window and door details: add reversed wall C) Moved Windows in Sidewalls to enlarge corner Unless the LORD builds the house, its builders labor in vain. Unless the LORD watches over the city, the watchmen stand in vain. (Psalm 127)		Project: School Building 20' x 24' True North Helping Hands Sheet Title: ROOF/TRUSS STD Drawn by: Scale: 3/8" = 1'-0"		Sheet Number: RT-101 Date: Revision Date: 24 June 2015	
						REV C			